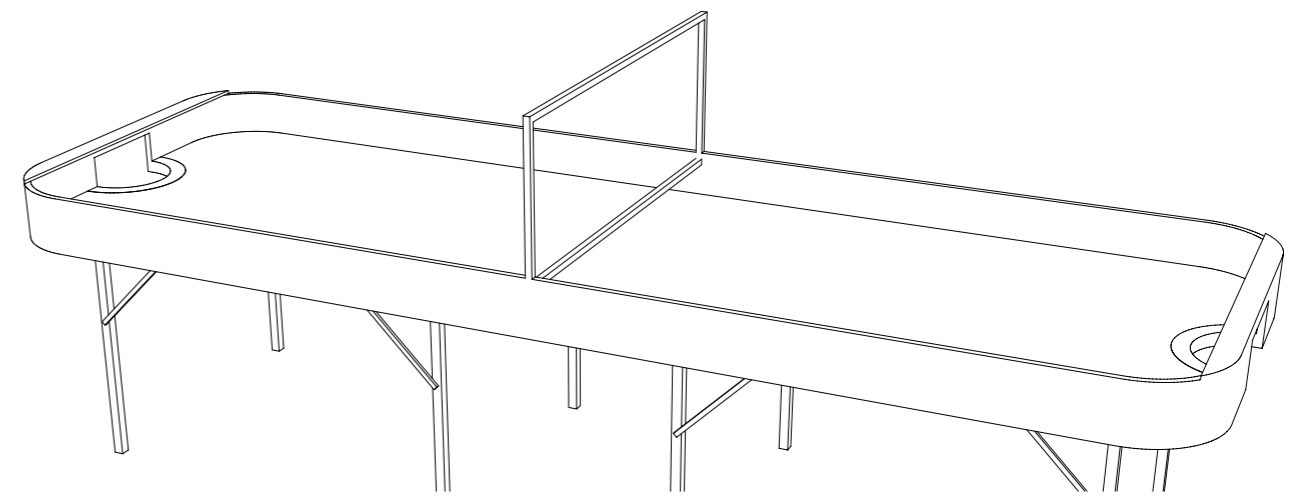
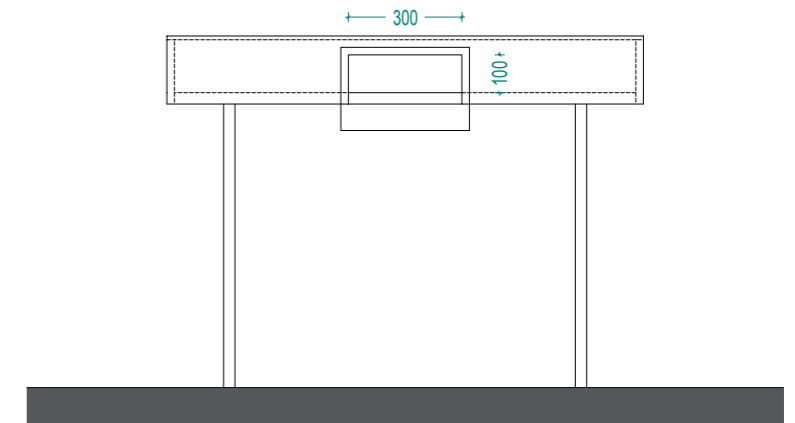
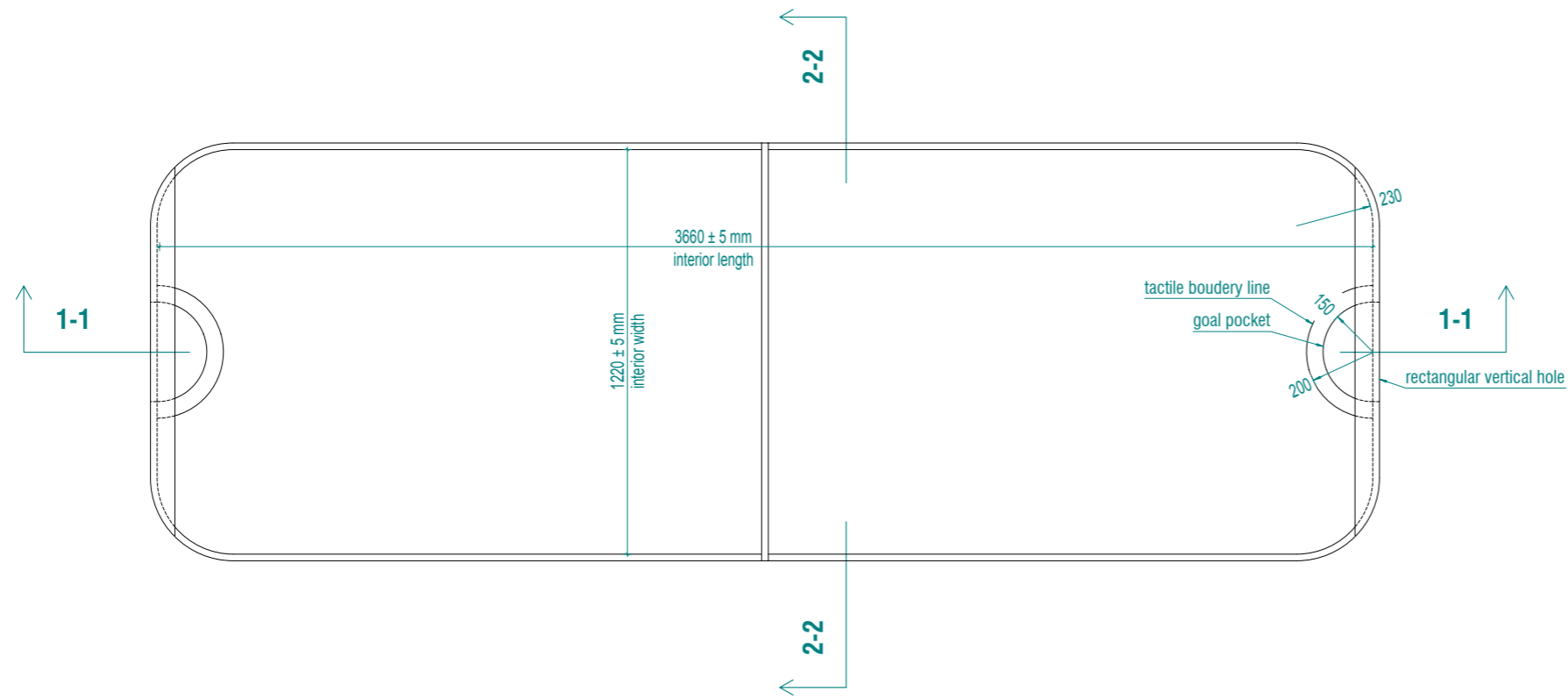


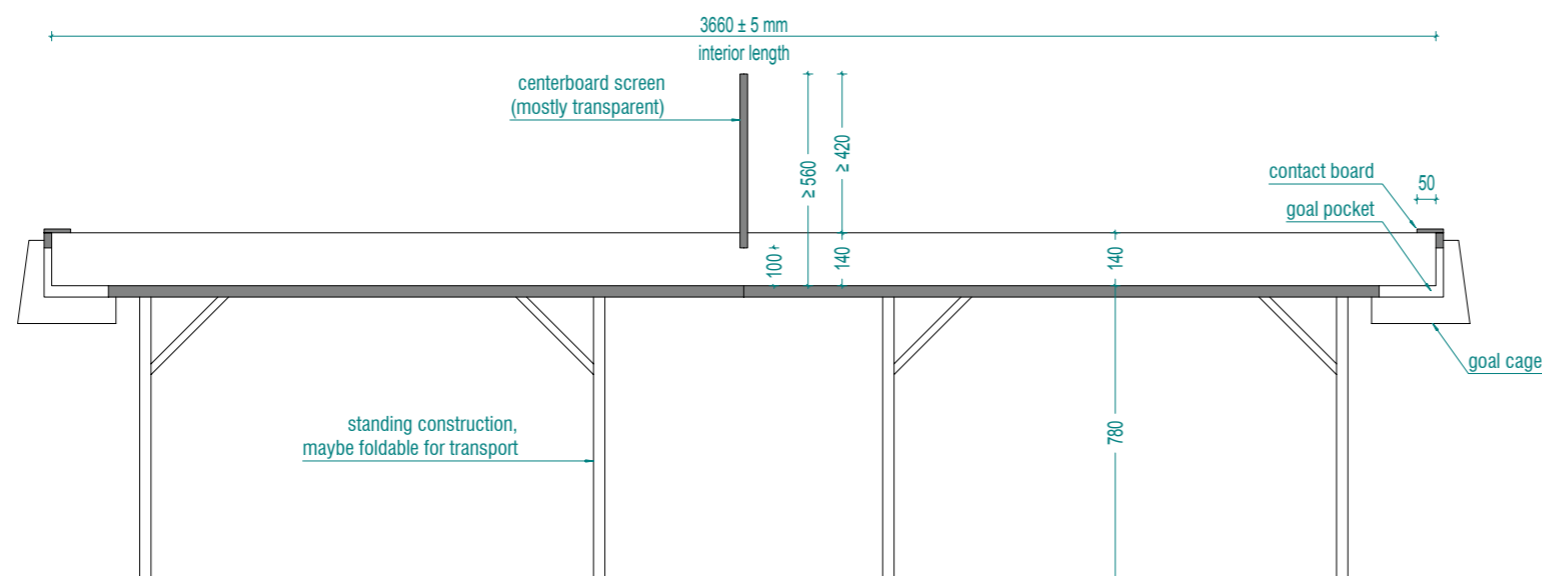
detail goal-area



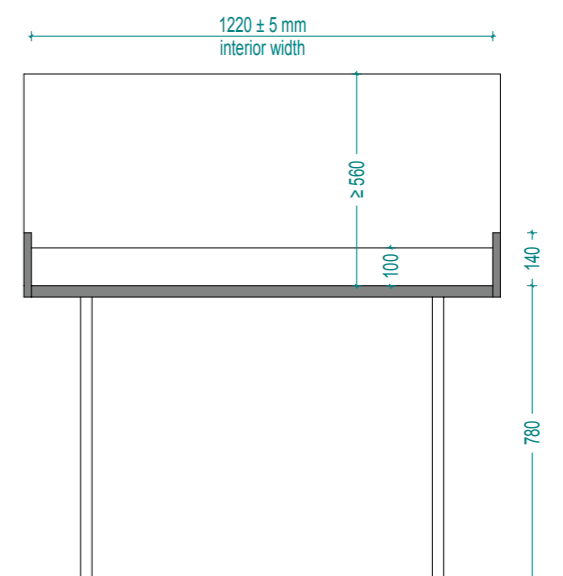
perspective



elevation



section 1-1



section 2-2